

## 15-CD35I mini Dome with built in IR



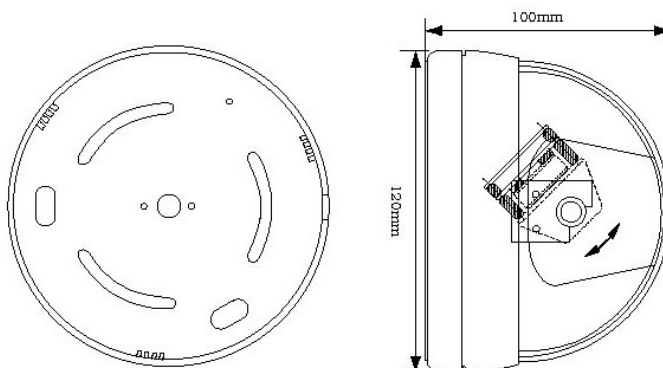
**Colour/Mono Sony Super HAD  
Medium Res Fixed Lens Dome  
With IR LED's 12v**

### Overview

420TVL , 1-3" Sony Super HAD CCD , 0.01 Lux @ f1.4 , 3.6mm Fixed Iris Lens with 36 IR LED's , LED Range up to 20 Metres , Photocell to switch LED's on - off , Auto Gain Control , Backlight Compensation , in Mid Size Dome Housing , 12v DC Regulated operation

### Features

- 1/3" Sony Super HAD Colour/Mono CCD 3,6mm Fixed
- 420 TV Lines (PAL) 0.01 Lux F1.4
- 36 IR LED's Range up to 20 Meters
- Photocell Switch LED's on - off
- Auto Electric Shutter (AES)
- Auto Gain Control (AGC)
- Back Light Compensation (BLC)
- Power input DC 12V DC regulated required
- Size  $\varnothing$ 120mm x 100mm
- PAL or NTSC system.



## Specifications

Image Sensor	1/3" SONY Super HAD DSP CCD colour / monochrome
Picture Elements	NTSC 542H x 492V PAL 542H x 582V
Horizontal Frequency	NTSC 15.734kHz PAL 15.625Khz
Vertical Frequency	EIA 60Hz CCIR 50Hz
Clock Frequency	NTSC 19.0699Mhz PAL 18.9375 Mhz
Scanning System	2:1 Interlace
Horizontal resolution	420 Lines
Power Supply	12V DC $\pm$ 10% 3.8W(Max) @ 119ma / 320ma(IR on) regulated psu required
Illumination	0.01 Lux with IR LED's 36 pce.
Signal to Noise ration	50dB
Electronic Shutter Speed	EIA1/60~1/100,000 sec; CCIR1/50~100,000sec
Lens	3.6mm / F=2.0
Video Output	1V pp 75 Ohms
Audio Output	N/A
Day & Night	Under 2 Lux into the monochrome view
Gamma	0.45
White Balance	Auto
Backlight Compensation	Auto
Gain Control	Auto
Auto Iris	N/A
Weight	307g
Dimensions	$\varnothing$ 120 x 100mm
Storage Temperature	-30C to +60C
Operating Temperatures	-10°C to +45°C